



TECHNICAL DATA
DATA SHEET 5483, REV. A

SLM *mini* LED LUMINAIRE



FEATURES

- Neutral White Color (5,000K nom)
- 16,670 Calculated Lumens Output
- Designed For Outdoor Use (IP67 rated)
- DC Input 8VDC – 38VDC
- Optional 90VAC – 305VAC AC/DC Power Supply
- Low Power Consumption
- Mounting Bracket option
- 100% Assembled in USA

ABSOLUTE MAXIMUM RATINGS

| RATING | MIN. | MAX. | UNITS |
|-----------------------------|------|------|-------|
| INPUT VOLTAGE (DC MODELS) | 8 | 38 | VDC |
| INPUT VOLTAGE (AC MODELS) | 90 | 305 | VAC |
| INPUT FREQUENCY (AC MODELS) | 47 | 63 | Hz |
| OPERATING TEMPERATURE | -40 | 50 | °C |

For distribution within the United States,
contact 1stChoice-EPA/SSL/LED 713-867-8909

Email: we-r-led@hotmail.com
www.LEDviaHILL.net





TECHNICAL DATA

DATA SHEET 5483, REV. A

ELECTRICAL CHARACTERISTICS (ALL RATINGS ARE AT 25°C UNLESS OTHERWISE SPECIFIED)

| CHARACTERISTIC | MIN. | TYP. | MAX. | UNITS |
|---|------|--------|------|-------|
| POWER CONSUMPTION (Vin = 12VDC) | | 100 | | W |
| POWER CONSUMPTION (Vin = 18VDC-38VDC) | | 150 | | W |
| LUMINOUS FLUX (CALCULATED, Vin = 12VDC) | | 13,330 | | lm |
| LUMINOUS FLUX (CALCULATED, Vin = 18VDC – 38VDC) | | 16,670 | | lm |
| INPUT CURRENT DRAW – Vin = 12VDC | | 8.8 | | A |
| INPUT CURRENT DRAW – Vin = 24VDC | | 6.0 | | A |
| INPUT CURRENT DRAW – Vin = 32VDC | | 4.6 | | A |
| OVERVOLTAGE TRIP POINT | 38 | --- | 42 | V |

LED COLOR

| CHARACTERISTIC | MIN. | TYP. | MAX. | UNITS |
|--------------------|------|------|------|-------|
| COLOR ¹ | 4700 | 5000 | 5300 | K |

Notes:

1. Other colors available – consult factory.

PART ORDERING INFORMATION:

SLM LO CC B TI SX

SLM (SENSITRON LUMINAIRE MODEL)

- LO Lumens Output in lumens x 1000
16 = 16,670
- CC Color in 100K (standard offering is 50 - Neutral White)
50 = 5,000K typ.
Others colors available – consult factory
- B Beam Angle
0 = 20°
1 = 42°
2 = 50°
3 = 69°
4 = 76°
- TI TYPE OF INPUT (AC or DC)
D1 – 24V DC
D3 – 12V DC
AC – 185W AC power supply is included
- SX SPECIAL ORDERS
S0 – Black Fixture
SW – White Fixture

EXAMPLE:

SLM16500D1SW => 24V DC operation with 20° beam angle, white fixture





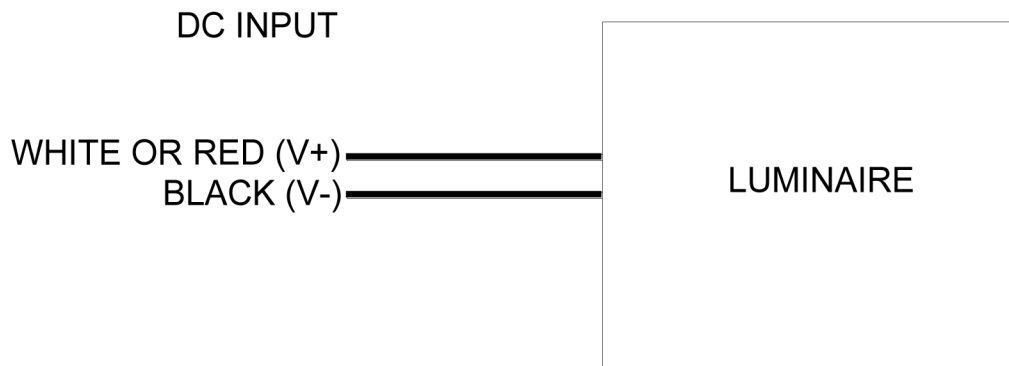
DuraBrite

TECHNICAL DATA
DATA SHEET 5483, REV. A

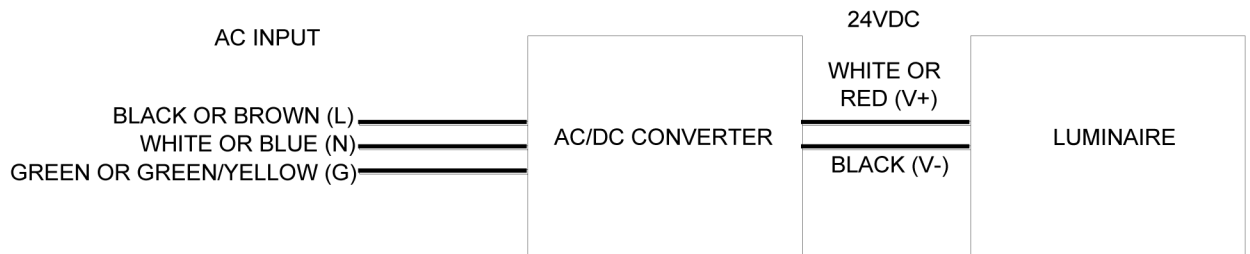
Mounting Bracket (option):

Please refer to our BLM series brackets for compatible mounting options.

DC MODEL WIRING:



AC MODEL WIRING:

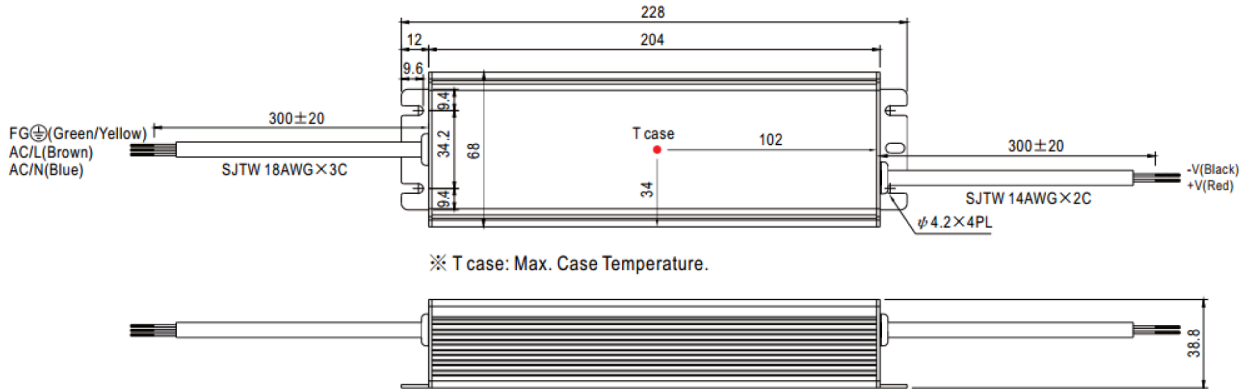




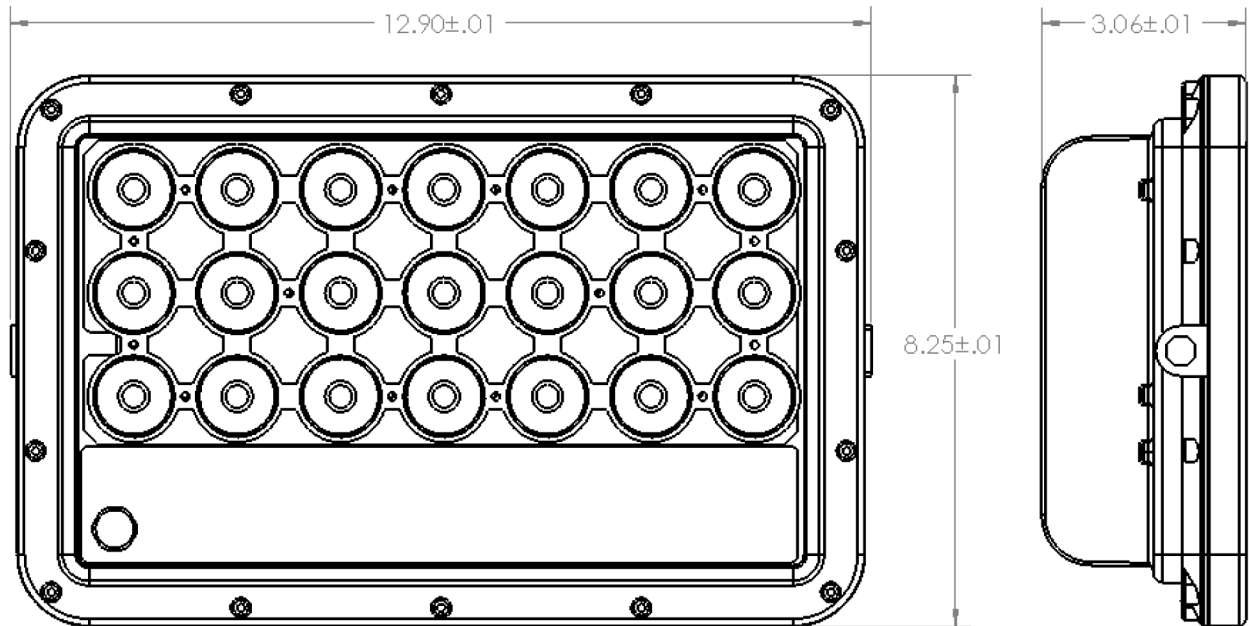
TECHNICAL DATA
DATA SHEET 5483, REV. A

AC POWER SUPPLY MECHANICAL DIMENSIONS:

HLG-185H-24 - 24VDC IP67 Power Supply



MINI LUMINAIRE MECHANICAL DIMENSIONS & WEIGHT:



Units in inches

Weight: 7.5 pounds (without mounting bracket)
9.5 pounds (with mounting bracket)

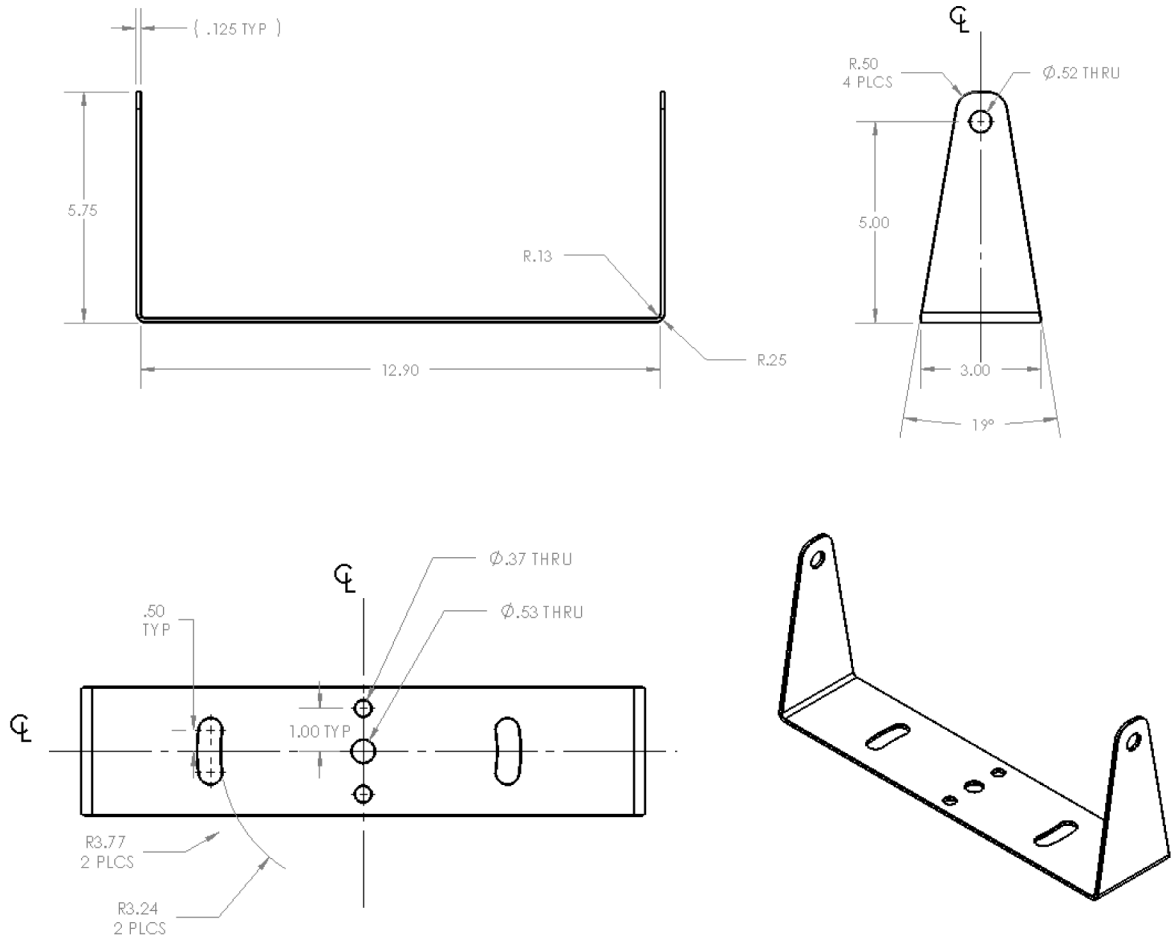
For distribution within the United States,
contact 1stChoice-EPA/SSL/LED 713-867-8909

Email: we-r-led@hotmail.com
www.LEDviaHILL.net



TECHNICAL DATA
DATA SHEET 5483, REV. A

STANDARD MOUNTING BRACKET

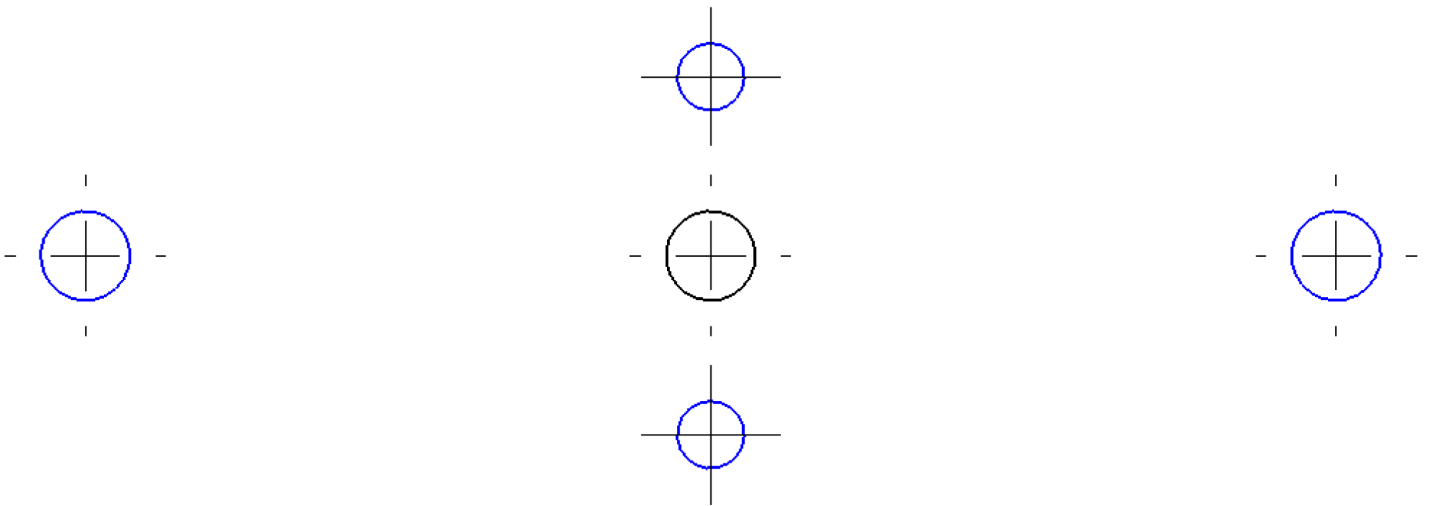




TECHNICAL DATA
DATA SHEET 5483, REV. A

MOUNTING BRACKET HOLE TEMPLATE (TO SCALE)

Note: Tighten bracket → luminaire bolts to 45 foot pounds after installation



DISCLAIMER:

1- The information given herein, including the specifications and dimensions, is subject to change without prior notice to improve product characteristics. Before ordering, purchasers are advised to contact the Sensitron Semiconductor sales department for the latest version of the datasheet(s).

2- In cases where extremely high reliability is required (such as use in nuclear power control, aerospace and aviation, traffic equipment, medical equipment, and safety equipment), safety should be ensured by using semiconductor devices that feature assured safety or by means of users' fail-safe precautions or other arrangement.

3- In no event shall Sensitron Semiconductor be liable for any damages that may result from an accident or any other cause during operation of the user's units according to the datasheet(s). Sensitron Semiconductor assumes no responsibility for any intellectual property claims or any other problems that may result from applications of information, products or circuits described in the datasheets.

4- In no event shall Sensitron Semiconductor be liable for any failure in a semiconductor device or any secondary damage resulting from use at a value exceeding the absolute maximum rating.

5- No license is granted by the datasheet(s) under any patents or other rights of any third party or Sensitron Semiconductor.

6- The datasheet(s) may not be reproduced or duplicated, in any form, in whole or part, without the expressed written permission of Sensitron Semiconductor.

7- The products (technologies) described in the datasheet(s) are not to be provided to any party whose purpose in their application will hinder maintenance of international peace and safety nor are they to be applied to that purpose by their direct purchasers or any third party. When exporting these products (technologies), the necessary procedures are to be taken in accordance with related laws and regulations.

